

BOLIN

Blue Line



High Quality PTZ Camera
Lights Up For Any Budget

Blue Line PTZ Camera

Bolin's newly created Blue-Line PTZ cameras, now offer gold-standard features at an affordable price. Part of Bolin's PTZ camera manufacturing principle is to never compromise on image quality, industrial video standards, and end user experience on PTZ control operation.

Bolin Blue-Line PTZ camera focuses on delivering essential pro features to clients looking to outfit a lightweight AV system. High quality video from Full HD to 4K 60p resolution and standard control protocols essential in ProAV, UC, and light broadcast applications.

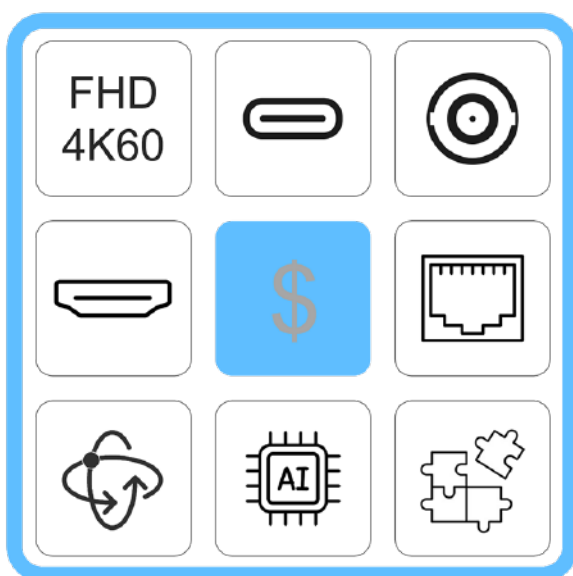
Bolin's commitment to the quality of the Blue-Line series cameras, includes the integration of cutting-edge technologies, such as an AI-powered engine - enabling precise Face Centric Smart Focus and Auto-Exposure.

In addition, the fitting of Sony's 1-inch sensor image block from our best-seller flagship product to selected blue-line camera offers to deliver pro-quality Sony DNA brilliant images to the mega-screen.

Bolin Blue-Line PTZ camera is just the beginning, and we're planning to bring many more pro-AV products to the market to bridge the gap between value and cost.



Bolin Blue-Line PTZ Camera Focus



- Gold-Standard Advantages
- Quality and Operation - No Compromises
- Standard Workflow Integration
- ProAV, UC and light broadcast application
- Feature Key Words
 - FHD/4K60
 - HDMI, SDI, USB, IP
 - Precision and Fine Control
 - AI Featured Capability
 - Compatibility and Integration
- Economical Solution

Blue Line PTZ Camera Models

B2-210/B2-220

FHD 10X/20X



B6-220/B6-420

FHD 20X/4K60 20X



B7-220

FHD 20X



B9-412

4K30 12X



Output \ SKU	B2-210	B2-220	B6-220	B6-420	B7-220	B9-412
SONY Image Block						√
BOLIN Image Block	√	√	√	√	√	
FHD	√	√	√		√	
4K60				√		
4K30						√
10X Optical	√					
12X Optical						√
20X Optical		√	√	√	√	
HDMI 1.4	√	√	√		√	√
HDMI 2.0				√		
3G-SDI		√	√	√	√	√
USB 3.0						√
USB 2.0	√	√	√	√	√	
IP Streaming	√	√	√	√	√	√
1 Inch Sensor						√

FEATURE OVERVIEW

High Quality Imaging - Full HD

Bolin's Bolin's Blue Line PTZ cameras are equipped with Sony sensor to provide brilliant, high-quality images in 1080p60 and 4K(2160) resolutions with 10 to 20x optical zoom.

Video Output

All Blue Line PTZ cameras deliver IP streaming video to network with local HDMI video and USB streaming to PC software for conventional video production and cloud based video conferencing applications. Cameras with 20X zoom range and 4K60 cameras also provides 3G-SDI, lossless baseband video for live production and light broadcast use.

Video Settings

Image parameter adjustments include exposure, focus, iris, shutter speed, white balance, gamma, wide dynamic range, E-flip/mirror and more with configurable video settings.

AI Featured Smart Focus and Exposure

Built with Bolin's latest AI-powered face analytical engine which enables precise smart focus and smart exposure to bring customer a greater level of user experience and effective image quality improvement in a complex user environment.

Audio

HDMI/SDI/USB and IP video streaming signal has high-quality audio streaming embedded with support for Mic-in and Line-in audio inputs.

KEY FEATURES

PTZ Movement

Extremely quiet and smooth operation for Pan/Tilt movements combined with enhanced adaptive, variable, and super slow speed control provides accurate and effective operation experiences. Picture Profile Preset: Image parameter settings restored with presets and quick access operation.

Remote Control and Setup PTZ Camera

Bolin's Blue Line PTZ cameras support serial RS232/RS422 control, Visca over IP control over network. Remotely control pan, tilt, zoom movements with full access to camera's image parameter settings via keyboard controller or IR controller.

Ease of Installation and Use

Use Bolin mounting accessories and simply connect one network cable with POE enabled ethernet network/POE device, or RJ45 port cable connection for serial control wiring makes the installation easy.

Always Up to Date

Free and easy firmware update via IP interface to keep camera features and performance up to date and even for customized function upgrades.



B2-210



B2-220








B7-220



B6-220/B6-420

SPECIFICATIONS

Model No. Product Name	B2-210 FHD PTZ Camera	B2-220	B7-220 FHD PTZ Camera	B6-220	B6-420 4K60 PTZ Camera
Product Picture					
Camera	10X	20X	20X	20X	20X
Image Sensor	Sony Progressive scan CMOS image sensor 1/2.8 type				
Number of effective pixels	1920X1080, 2.13 MP	1920X1080, 2.13 MP			3840x2160, 8.29MP
Zoom	Optical Zoom 10X, Digital Zoom 16X	Optical Zoom 20X, Digital Zoom 16X			Optical Zoom 20X, Digital Zoom 16X
Focal Length	f= 4.34 mm (Wide) to 35.17 mm (Tele)	f= 5.2 mm (Wide) to 104 mm (Tele)			f= 3.55 mm (WIDE) to 63.58 mm (TELE)
Aperture	F1.85 (Wide) to F2.63 (Tele)	F1.6 (Wide) to F3.0 (Tele)			F1.8 (Wide) to F3.58 (Tele)
Horizontal Angle of View	68.8 °(W)~8.8° (T)	55.8° (W)~3.2° (T)			78.59° (W)~4.92° (T)
Vertical Angle of View	39.5° (W)~5.1° (T)	-			48.71° (W)~2.81° (T)
Min. object distance	10mm (Wide)				
Min. Illumination	0.5lux (color) , 0.1lux (black)				
Shutter Speed	1/1 sec to 1/10000 sec (22 steps)				
Focus	Auto, Manual, One Push				
White Balance	Auto, Indoor, Outdoor, OPW, ATW, Manual				
Exposure	Auto, Manual, Shutter /Iris /Brightness priority				
Image Adjustment	Brightness, Color(Saturation), Contrast, Sharpness, HUE				
Back Light Compensation	On/Off				
E-Flip	On/Off				
WDR	On/Off				
Image Stabilizer	-				Yes
Defog	-				Yes
Mirror	Horizontal				
Day/Night	On/Off				
Contrast	Yes				
Color Gain	Yes				
Color Hue	Yes				
Color Matrix	Yes				
Gamma	Yes, 0-4				
High Sensitivity	Yes				
Scene	Default, Clear, Bright, Soft				
Focus Zone	Face Priority, All Area, Upper Area, Central Area, Lower Area				
AI Face Detection Focus	Yes				
AI Face Auto Exposure	Yes				
Noise Reduction	2D/3D, 1-255				
S/N Ratio	≥50db				
OSD	Editable				
HDMI Signal System					
Video Format - HDMI	1920x1080p:60/59.94/50/30/29.97/25; 1280x720p:60/59.94/50/30/25			4KP-2160p:60/59.94/50/30/29.97/25; 1080p:60/59.94/50/30/29.97/25; 1080i:60/59.94/50; 720p:60/59.94/50/30/25	
Color Format	8bit(HDMI), YCbCr				
Color Space	YUV, RGB				
OSD Menu Display	YES (English, Chinese, Spanish, German, French, Russian)				
On-Screen Title	-				
SDI Signal System					
SDI Video Format	-	1080p:60/59.94/50/30/29.97/25; 720p:60/59.94/50/30/25		1080p:60/59.94/50/30/29.97/25; 1080i:60/59.94/50; 720p:60/59.94/50/30/25	
Color Precision	-	8bit(SDI), YCbCr, 4:2:2			
Color Space	-	YUV			
Standard	-	3G-SDI, SMPTE424/SMPTE292, TE 425-A(3Gb/s) standard / 75 Ω (BNC x 1), With SMPTE352			
True Dual Output	-	IP and SDI signal can be output with different format			
OSD Menu Display	-	YES			
On-Screen Title	-	-			
USB Signal System					
USB Port	USB2.0, Type C			USB3.0, Type C	
Encoder	H.264/MJPEG/YUV2			H.264/MJPEG/YUV2	
USB Video Format	1920×1080p60/50/30/25fps , 1280X720p60/50/30/25fps			H.264/MJPEG:(3840x2160, 1920×1080, 1280X720, 800x600, 704x576, 640X480, 320X240) 50/60/25/30fps YUV2: 3840X2160 15fps (1920X1080, 1280X720, 800x600, 704x576, 640x480, 320X240) 50/60/25/30fps	
Compatible Integration	UVC, UAC				
Video Conference Compatibility	Most video conference platform in the market				
Network-IP Streaming					
Video Codec	MJPEG, AVC/HEVC-H.264/265 by SoC				
Network Interface	RJ45 port-Standard 1Gbps Ethernet				
IP Video - 1st Stream	1920x1080, 1280x720; Frame Rate: P60/50/30/25			3840x2160, 1920x1080, 1280x720; Frame Rate: P60/50/30/25	
IP Video - 2nd Stream	704x576, 640x480, 640x360, 576x480, 352x228, 320x240, 320x180; P60/50/30/25; Frame Rate P60/50/30/25				
True Dual Output	Video resolution and framerate: IP and HDMI can be output with different format (SDI and HDMI will be the same, SDI is the same or lower than HDMI, USB is the same as IP)				
IP Protocols	TCP/IP, ICMP, ARP, RTP, SIP, UDP, HTTP, HTTPS, DNS, DHCP, FTP, NTP				
Application Protocols	RTP, RTSP, RTMP, RTMPS, SRT				
Multi-stream	2 Streams (Up to 20 viewers at the same time)				
Audio Compression	AAC-LC, G.711, G.726 Broadband Audio Encoding				
Compatible Integration	ONVIF2.4 (Profile S, Profile G, Profile T), VISCA Over IP				
OSD	Customized OSD				
Browser Support	Cross Browser Compatibility - HTML5 support for Microsoft Edge, Google Chrome, Firefox, and Safari				
Latency - Codec	<250ms at 1080p60			<550ms at 1080p60	
Bandwidth	2-4Mbps at 1080p60			4-8Mbps at 1080p60	
Results may vary depending on network configuration and management settings.					

SPECIFICATIONS

Model No.	B2-210		B2-220/B7-220/B6-220		B6-420
Camera	10X		20X		20X
Interface					
HDMI Video Output			HDMI 1.4X1 Type A		HDMI 2.0X1 Type A
IP Video Stream			Up to 1080p60		Up to 4K60
SDI Video Output	-		3G-SDI, SMPTE424/SMPTE292, TE 425-A(3Gb/s) standard / 75 Ω (BNC x 1), With SMPTE352		
Camera Control Interface			RJ45X1-RS422, RJ45X1-IP Control, IR Remote Control		
Control Protocol			VISCA, VISCA Over IP, Pelco P/D		
LAN Port			RJ45X1 (1000BASE-T Ethernet port)		
USB Port			USB2.0, Type C		USB3.0, Type C
USB Protocol			UVC, UAC		
Synchronization			Internal synchronization		
Tally Light			Tally lamp in front, Red and Green Color		
Dip Switch			Camera bottom panel: 8 PIN x 2		
Firmware Upgrade			HEVC IP stream system upgrade via IP		
IR ID			Upgrade via IP for camera system MCU and Encoder		
Edge Storage			ID selector for IR controller, total 3		Micro SD Card
Power Connector Type			DC12V (IEC60130-10 (JEITA standard RC-5320A) TYPE4)		
			INPUT: RJ45, PoE+ (IEEE802.3at)		
Audio Input	MIC/LINE input, 3.5mm audio jack	USB port to 3.5mm audio jack	MIC/LINE input, 3.5mm audio jack		
	ACC (Bit Rate(bps)32K/40K/48K/64K/96K/128K; Sampling Rate(bps)16K/32K/44.1K/48K)				
Audio Output	-	USB port to 3.5mm audio jack-	MIC/LINE input, 3.5mm audio jack		
Audio Output	Embedded with HDMI/USB/SDI/IP streaming, 24bit Stereo, sample rate: 44k1 to 192k, PCM24				
Audio S/N Ratio	≥85dB				
Audio THD+N	≤0.05%				
Audio Noise (RMS)	≤-90dB				
Mechanical					
Pan Movement	Horizontal:±170 degrees continuous pan (Zoom Adaptive Speed Range: 0.05° ~ 100°/S)				
Tilt Movement	Vertical:+90 degrees to -30 degrees (Zoom Adaptive Speed Range: 0.05° ~ 50°/S)				
Speed Proportional	Pan/Tilt Speed proportional to zoom range				
Preset Position	255 positions, Speed 150°/s, Accuracy: 0.05° 6 presets on remote controller				
Preset Speed	0~5 Level Adjustable				
Preset Memory	YES, (Picture Profile Preset-Preset Memory for image parameters, like: Backlight Compensation, White Balance, R-Gain/B-Gain,				
Motionless Preset	On/Off				
PTZ Trace Memory	Yes, 4 (Supported via IP interface)				
Cruise	Yes,4				
Adaptive PT	Zoom range adaptive Pan/Tilt speed				
Pan/Tilt Direction	Normal, Invert				
Quietness	NC35 or less				
Home Position	Support				
Environmental	Indoor				
General					
Body	Partial Magnesium Alloy		Aluminum Alloy		
Mount	Ceiling mount, Wall mount, Tripod				
Size of Tripod Screw Hole	1/4"-20UNC with safety joint				
Operating Temperature	-10 to +50 (°C), 32 to 130 (°F)				
Operating Humidity	≤80% Suitable for Use				
Power Input	DC±12V, PoE+(Compatible with IEEE802.3at)				
Power Consumption	Min:10W(Static state with no movement); Max:13W(Fully loaded operation)	Min:15W; Max:19W	Min:13W(Static state with no movement); Max:18W(Fully loaded operation)		
Dimension	143x143x161mm (LxWxH)	178.75x159x211mm	280x165x2230mm (LxWxH)		
Weight	1.5kg (Net weight)	2kg	2kg (Net weight)		
Gross Weight (Approximate)	-	-	-		
Packing Dimension (Approximate)	-	-	-		
Body Color	Black/White		Dark Grey		
Accessory					
Power Supply	12VDC 4A X1, Universal various power core.				
Remote Controller	Full Function IR Controller X1				
Serial Control Adaptor	RS232/RS422 adapter cable x1 For serial RS232/422 control				

ORDER INFORMATION

- B2-210 (FHD, 10X Zoom, Black)
- B2-210W (FHD, 10X Zoom, White)
- B6-220 (FHD, 20X Zoom, Gray)
- B7-220 (FHD, 20X Zoom, Black)
- B2-220 (FHD, 20X Zoom, Black)
- B2-220W (FHD, 20X Zoom, White)
- B6-420 (4K60, 20X Zoom, Gray)
- B7-220W (FHD, 20X Zoom, White)

ACCESSORIES



VCC-RC-2
IR Remote Controller



VCC-P12-2
12VDC 2A Power Adapter



VCC-CC45RS
RJ45 To RS232/RS422/485 Adapter



VCC-WM
Wall Mount Bracket-Optional

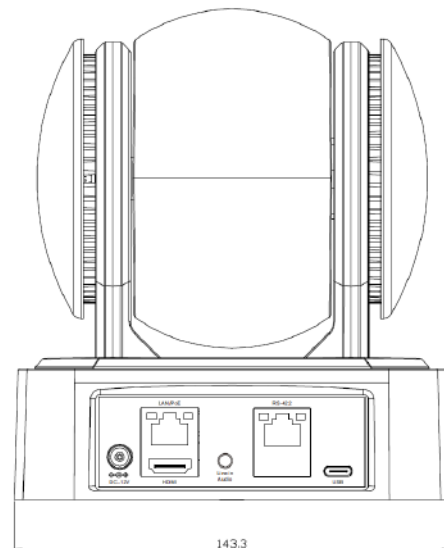
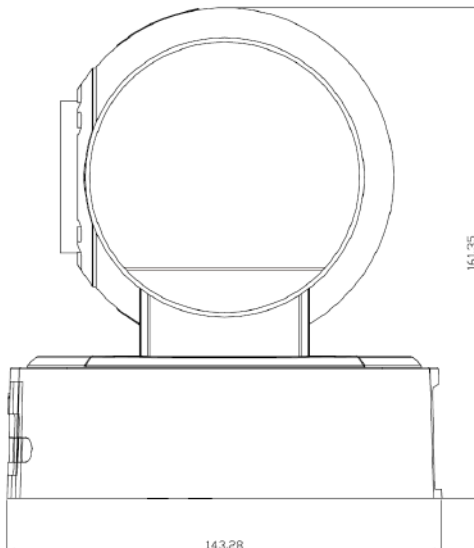
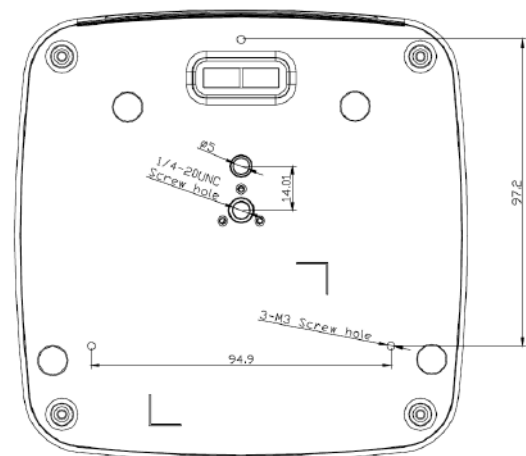
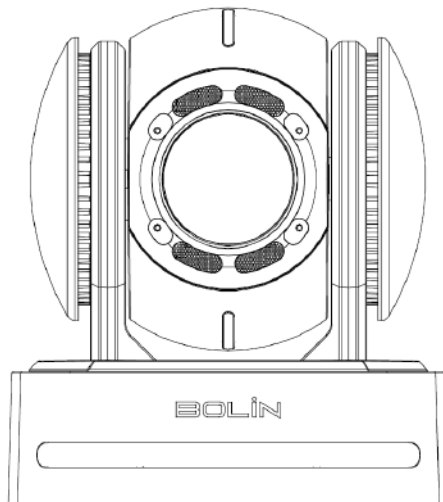


VCC-CM
Ceiling Mount Bracket-Optional

DIMENSIONS

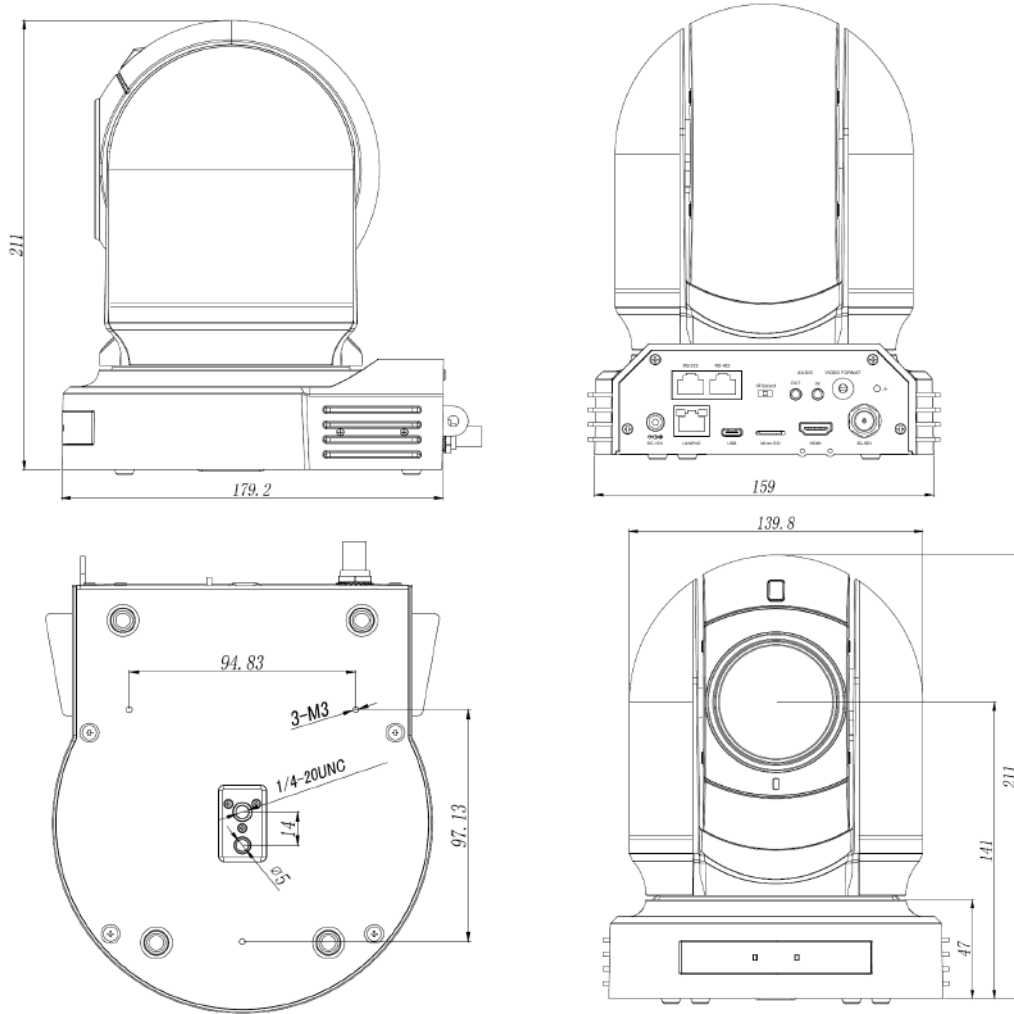
Unit: mm

B2-210/B2-220

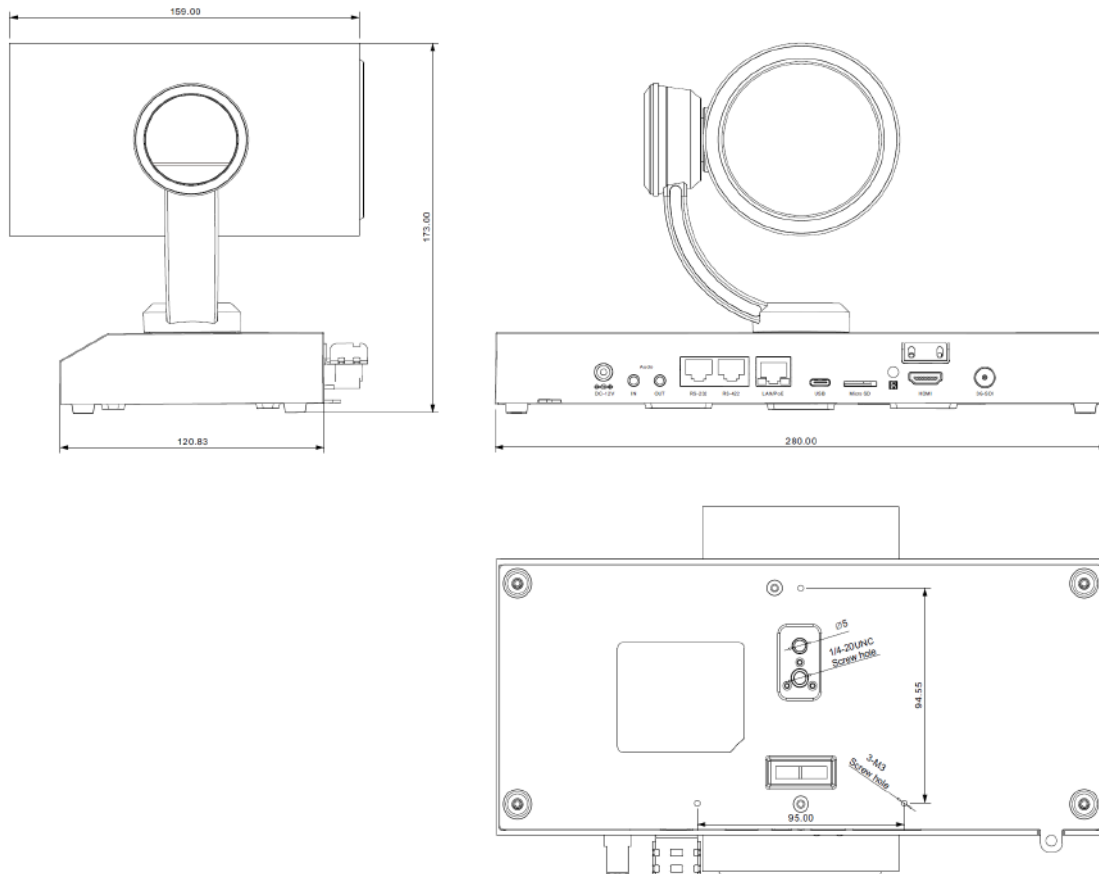


All models and specifications are subject to change without notice.
All brand names and registered trademarks are the property of their respective owners.

B7-220



B6-220/B6-420



All models and specifications are subject to change without notice.
 All brand names and registered trademarks are the property of their respective owners.