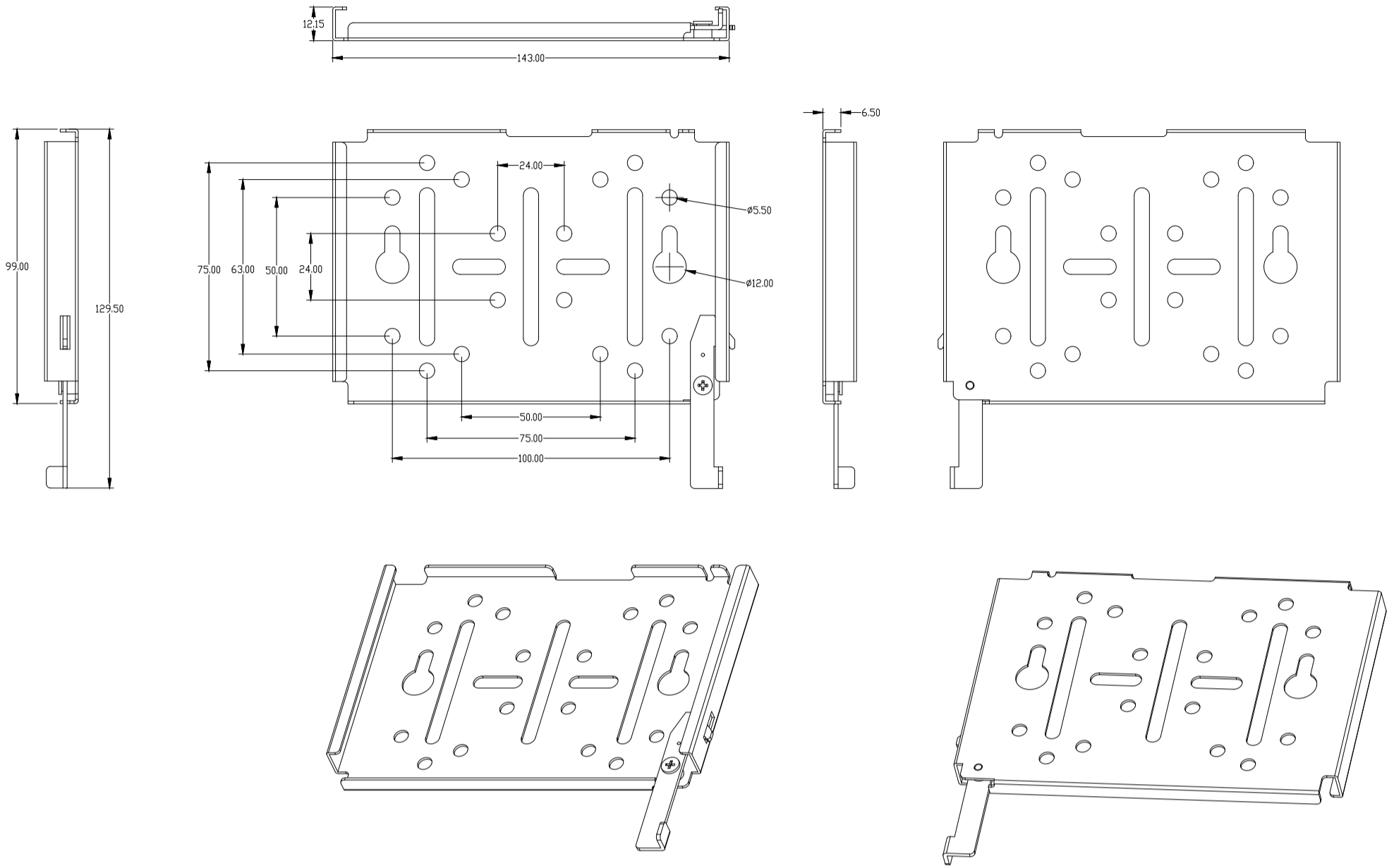


Unit: mm

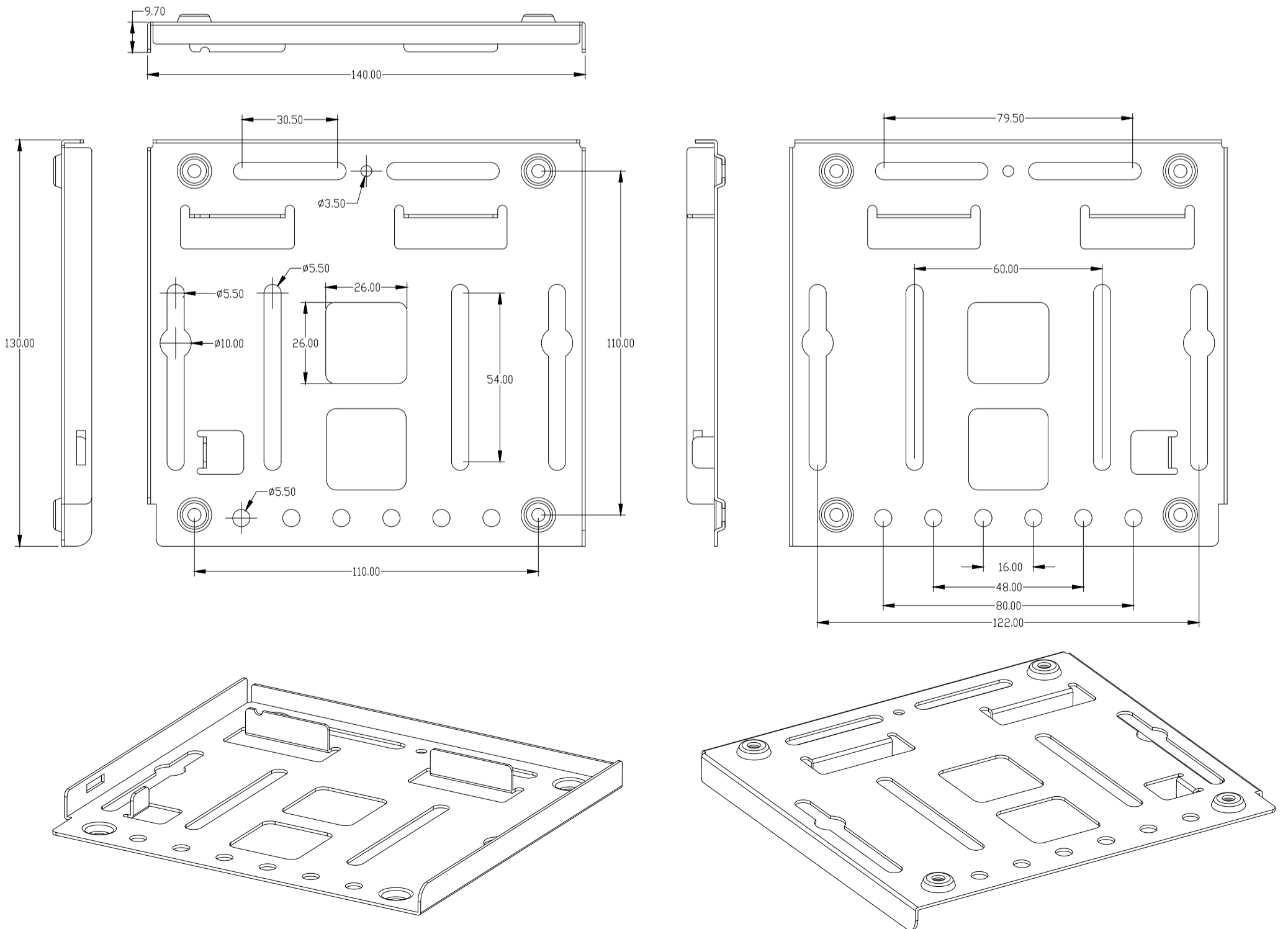
Upper bracket Dimension

---



Lower bracket Dimension

---



Mini Pole bracket Dimension

---

