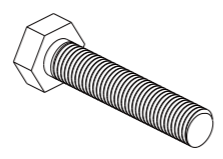


1X

Wall Mount Bracket



4X

M8*32



4X

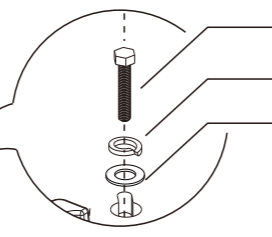
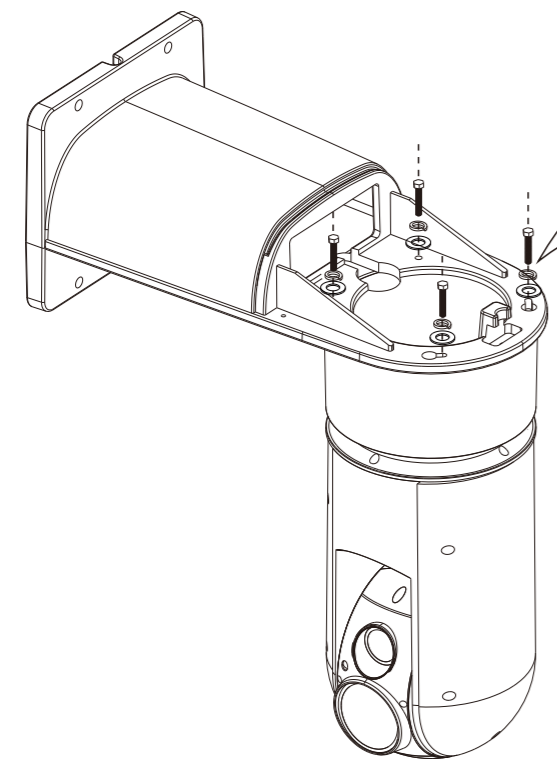
$\Phi 8 * \Phi 14 * 1.5$



4X

$\Phi 8 * 1$

①

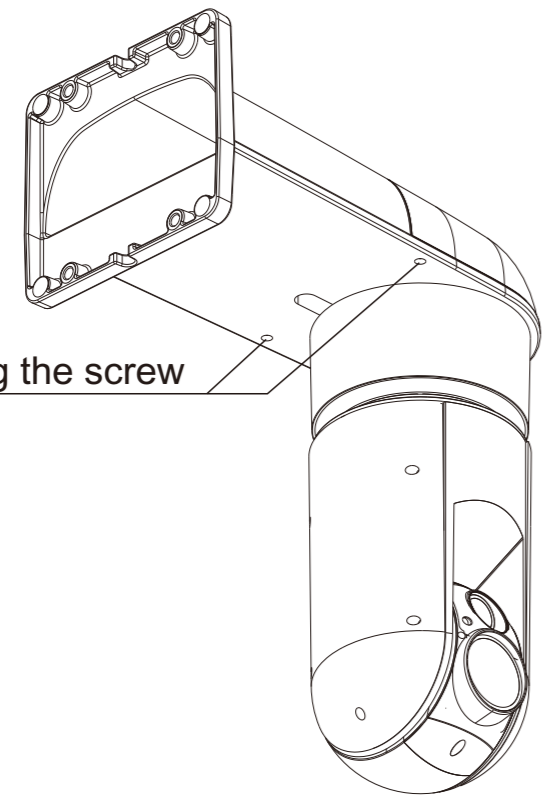


4X M8*32

4X $\Phi 8 * 1$

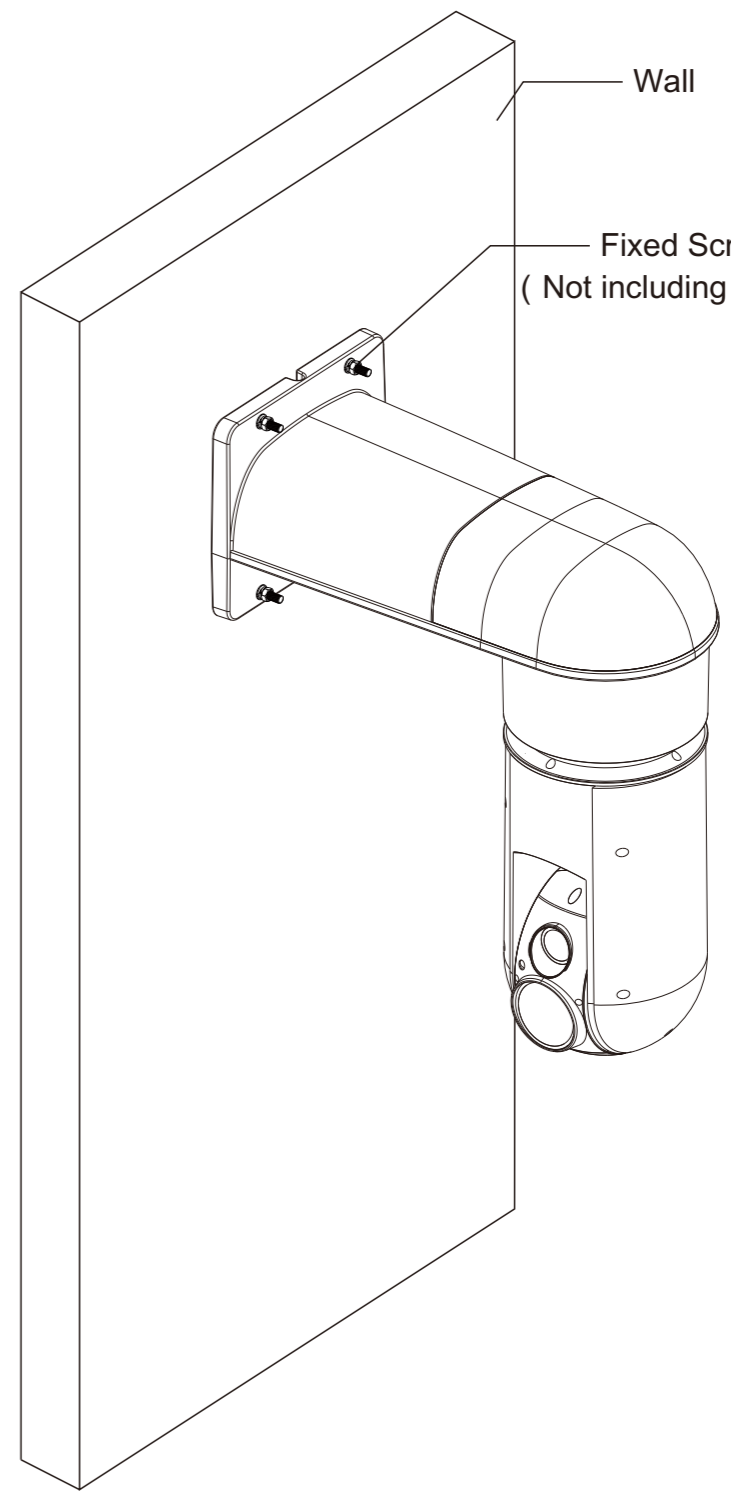
4X $\Phi 8 * \Phi 14 * 1.5$

②



Tightening the screw

③



Wall

Fixed Screw 4X
(Not including with Product)