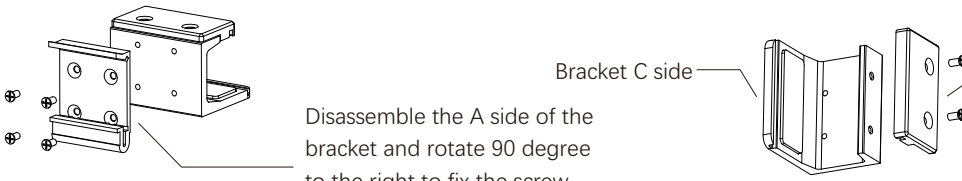


Mounting Bracket 1X

A. Vertical Installation Steps

①

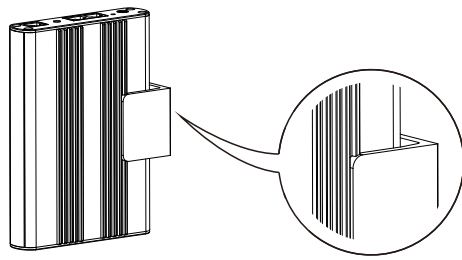


Disassemble the A side of the bracket and rotate 90 degree to the right to fix the screw according to the hole position

Bracket C side

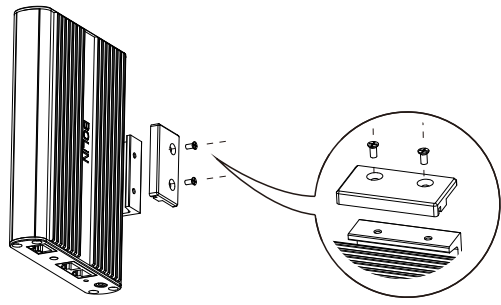
Disassemble the B side of the bracket

②



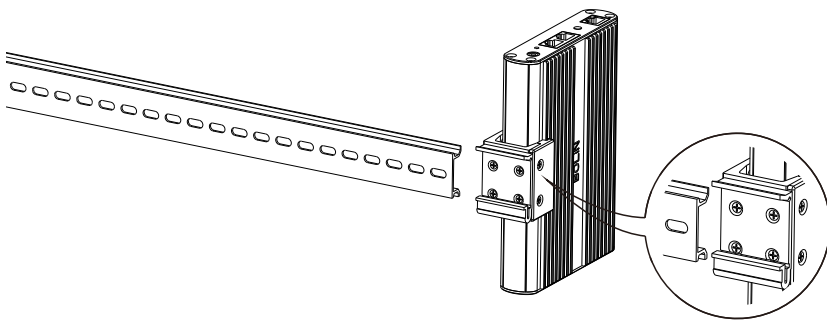
Snap the C side of the bracket into the groove on the back of the product and adjust it to a suitable position

③



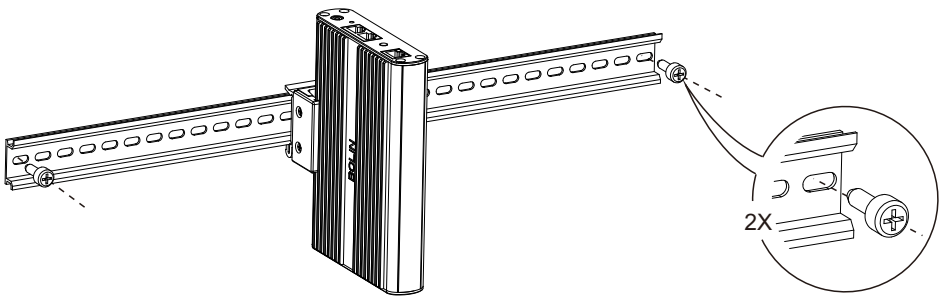
Snap the A side of the bracket into the groove on the front of the product, adjust to a suitable position and fix it with screws

④



Insert the lead rail into the mounting bracket and adjust it to the proper position

⑤

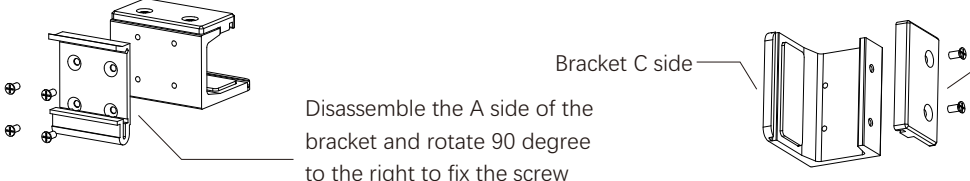


Tighten the screws to fix the lead rail to the mounting bracket

2X

B. Horizontal Installation Steps

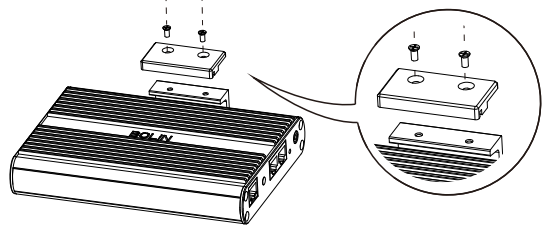
- ①



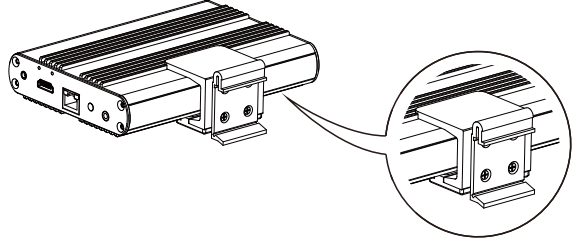
Disassemble the A side of the bracket and rotate 90 degree to the right to fix the screw according to the hole position

Bracket C side

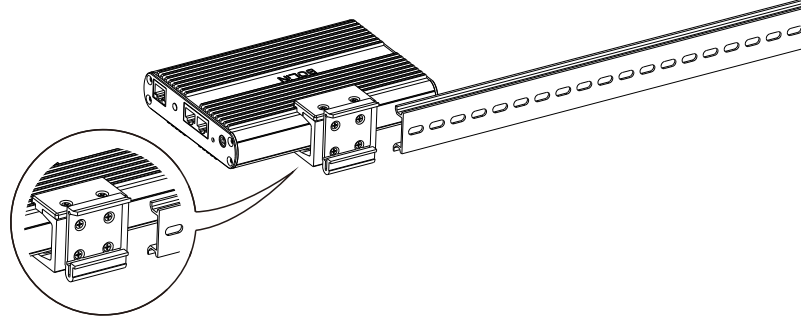
Disassemble the B side of the bracket
- ②



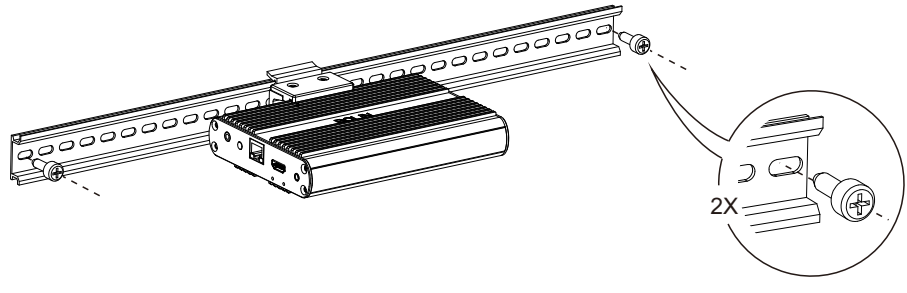
Snap the A side of the bracket into the groove on the front of the product, adjust to a suitable position and fix it with screws
- ③



Snap the C side of the bracket into the groove on the back of the product and adjust it to a suitable position
- ④



Insert the lead rail into the mounting bracket and adjust it to the proper position
- ⑤



Tighten the screws to fix the lead rail to the mounting bracket

2X